

Customer Code	
Customer number	
Drawing number	

Plug standards: IEC62196-1/2

VERSION	MARK	ECN	Revised Content	Signature	Date
1.0	--	--	First edition drawings	Xinhai	20231003

IC-CPD

Model Number: WB-IP2-AC2.4-16AS-B (MAX)

Specifications:

Input/Output: 230V AC 50Hz

Operating Temperature: -25°C to +50°C

IP Class: IP67

Rated Current: 6A/8A/10A/13A/16A

Rated residual operating current: IΔn30mA, DC 6mA

User Instructions:

Condition	LED Display Status		
	Green	Amber	Red
Standby	Dim	OFF	OFF
Charging	ALL green LED lights blink in sequence		
Charging Finished	Blink	OFF	OFF
Fault	OFF	OFF	Blink
Ungrounded	OFF	OFF	ON

Cautions:

1. Risk of electrical shock or burn.
2. The device does not contain any user-serviceable parts.
3. Please do not disconnect while the charging box is charging.

Warnings:

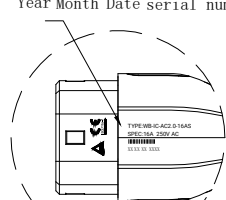
1. Do not use the charging box if it is damaged.
2. Only used for EV charging.
3. The device must be grounded.
4. Do not use this device with an extension cord or an adapter.

Selecting Current:

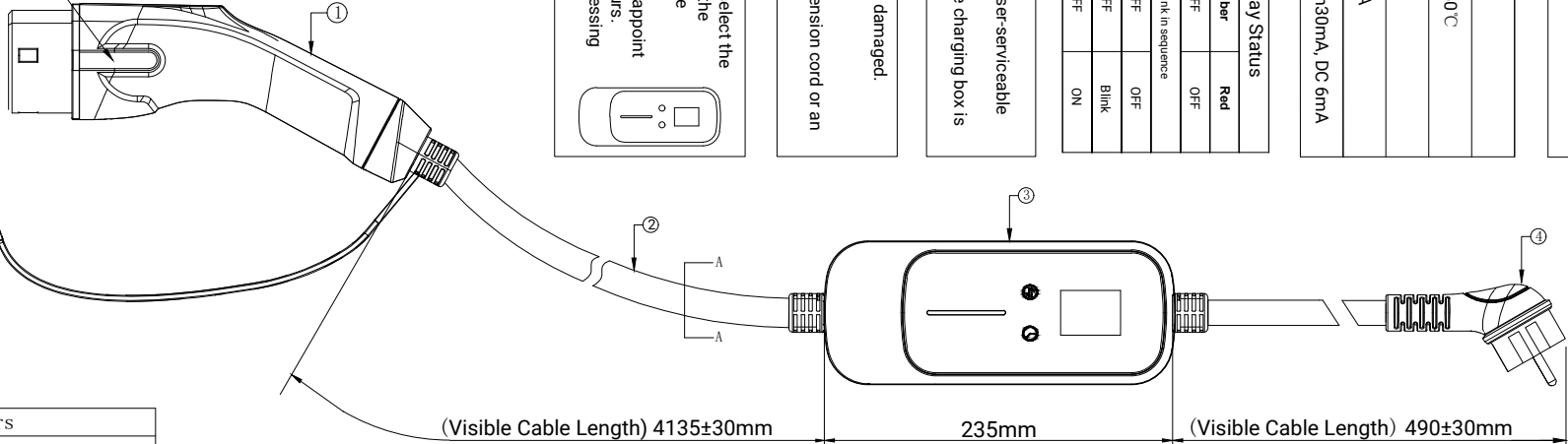
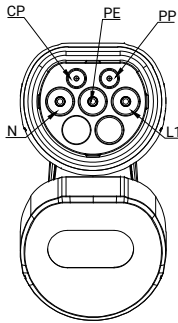
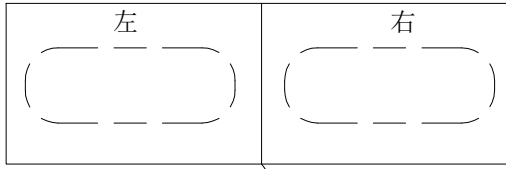
1. Use the current switch button to select the maximum charging current. Select the charging current before inserting the charging plug(car side).
2. Press the switch 1 to 12 times to appoint time to charge the EV in 1 to 12 hours. Cancel charging appointment by pressing the switch 13 times.



TYPE:WB-IC-AC2.0-16AS
SPEC:16A 250V AC
XXXXXXXXXX
Year Month Date serial number



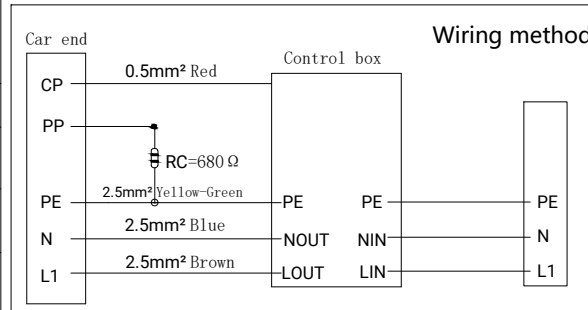
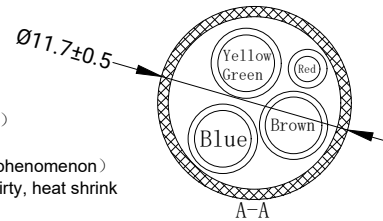
插头壳LOGO



Main Parameters	
(Rated voltage)	250V AC
(Rated current)	6A/8A/10A/13A/16A
(Working temperature)	From -30°C to +50°C
(Insulation resistance)	(≥500MΩ at room temperature Comply with IEC 62196 under hot and humid conditions)
(Withstand voltage)	(Between L.N and PE, 2000V AC, Test 60S, leakage current < 5mA)
(protection class)	IP55
(Casing fireproofness)	UL94V-0
(Mechanical life)	(10000 times of unloaded plug in/ off)
(Plug in/off force)	<100N

(Technical Requirements) :

1. (Inal pulling force: wire 0.5mm² ≥70N, 2.5mm² ≥200N)
2. (Charging plug material :PC/PA66+GF30%)
3. (Conductor material: copper alloy, surface silver plated)
4. (Cable compliance; BS-EN50620-2017 standard)
5. (The correct rate of conduction is 100%, no error pole phenomenon)
6. (The product shall not be scratched, damaged cable, dirty, heat shrink sleeve off, terminal off and other defects)



QR code format
Example: 8230101060100001
Fixed bits (1bit) +Date of manufacture (6bit) +Charging pile type (2bit) +Manufacture code (2bit) +Manufacture serial number (5bit)

Fixed bits	Date	Charging pile type	Manufacture code	Manufacture serial number
The fixed bit is "8"	Date such as "230101"	06--Mode 2 charge	01--Jiangsu Yihang 02--Shenzhen Yihang	"00001" Begin

Serial number	Item	Name	Description	Dosage	Unit	Remark
4	N/A	Plug	TPU schuko Plug	0.57±0.03	M	Black
3	N/A	Control box	B Leakage protection (Top cover silver gray spray paint)	1	PCS	Black
2	N/A	Cable	3G2.5mm ² +1*0.5mm ² TPU	4.43±0.03	M	Black
1	N/A	Charging plug	European standard AC charging plug 16A (2.0)	1	SET	Black
Signature		Date	Appearance color	Product name	European standard mode two (2.4)	
Drawing		Xinhai	20231003	/	Product part number	10015-ISM8016U-BB05000
Craft				Material	Product model	WB-IC-AC2.0-16AS
Approval		Zhou Yong	20231003	/	Product drawing number	WB-IP2-AC2.4-16AS-B (MAX)
Approve		Yang Wei	20231003	Weight	Visual angle	N/A
Client				N/A	Proportion	View frame
					Unit	Page
					mm	Version
					1/1	1.0

